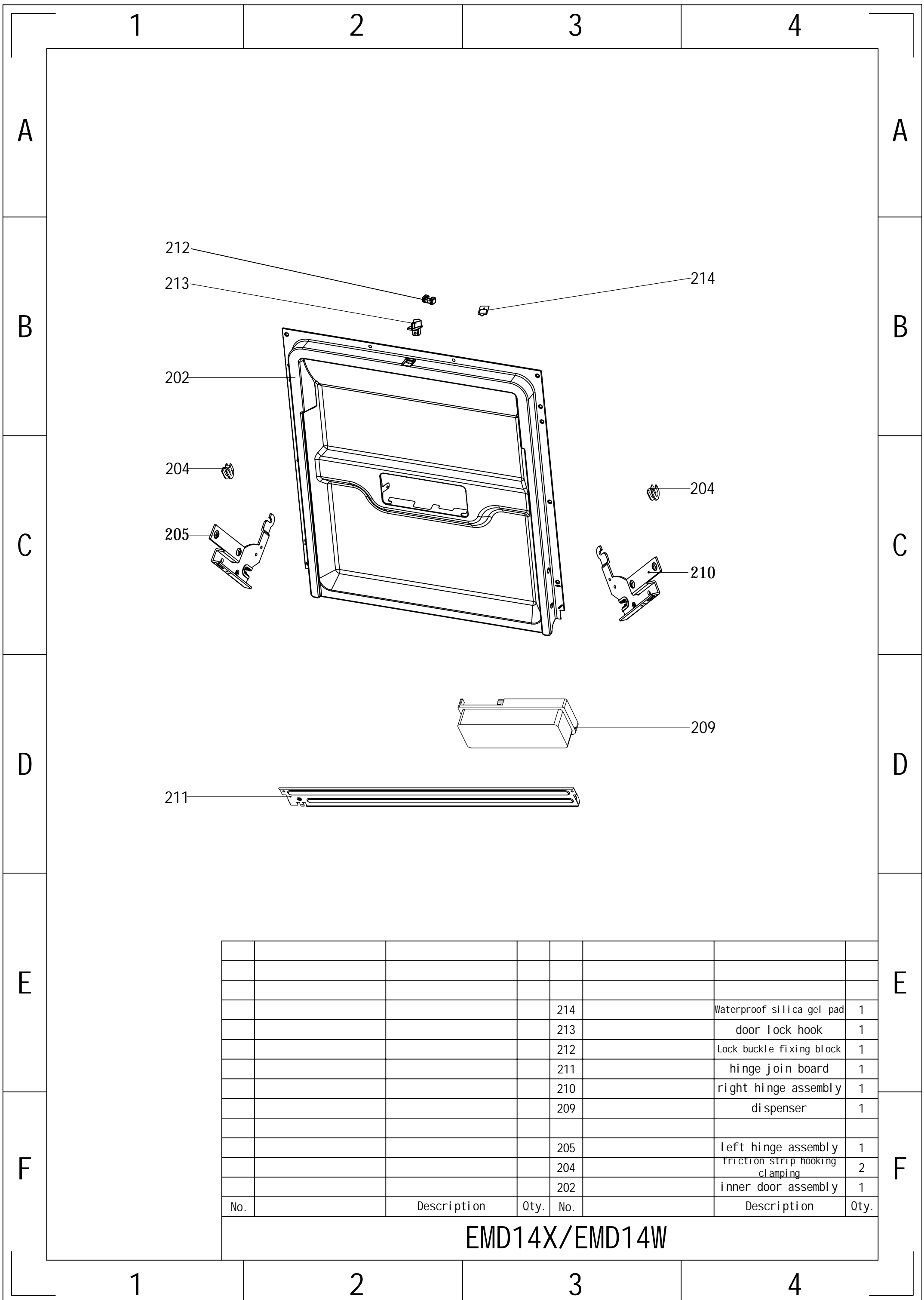


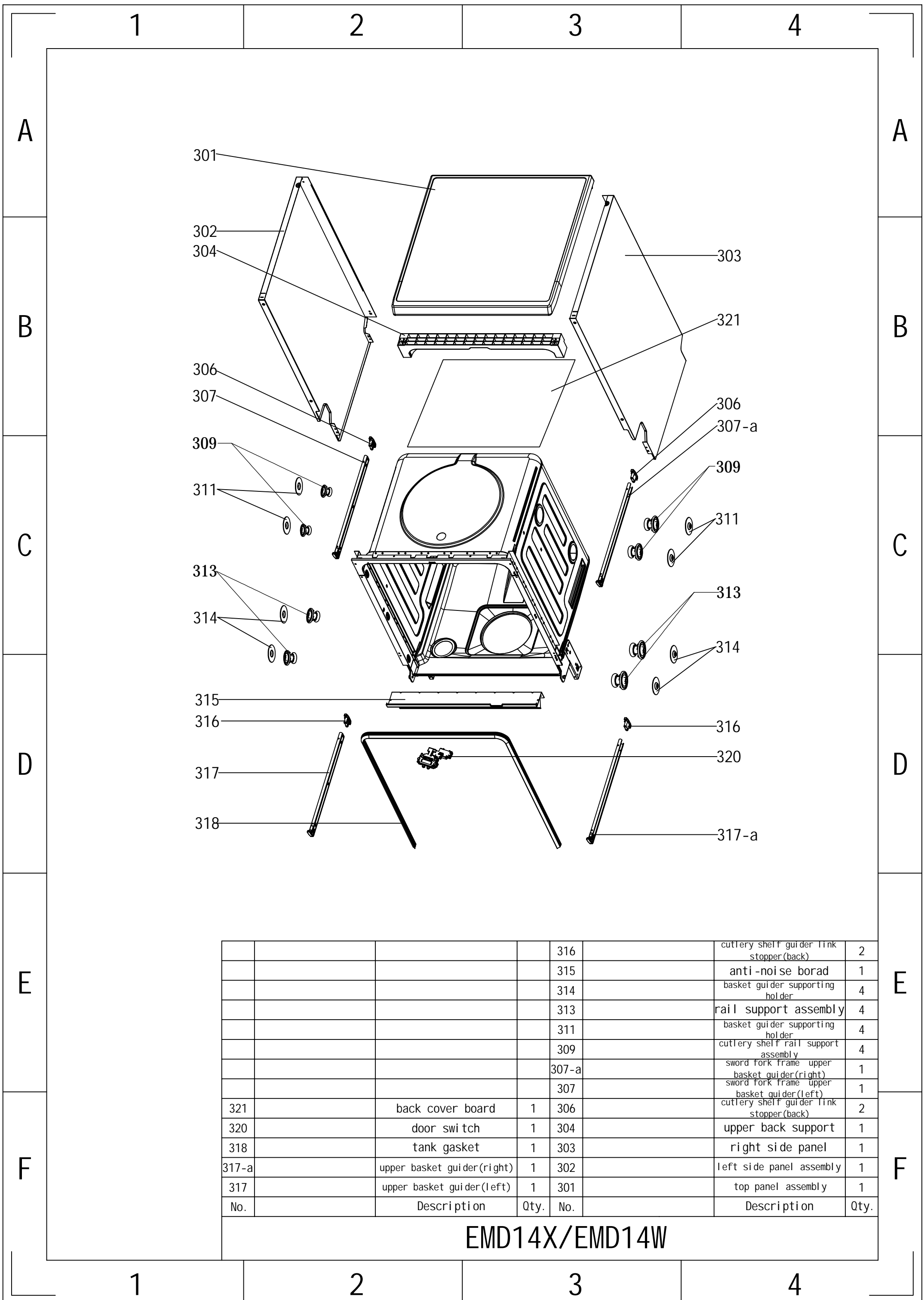
				109	baseboard	1
				108	out door	1
				107	control panel cover sticker	1
				106	control panel	1
				105B	start/pause button	1
				105A	power button	1
				104	program button	6
				103	Waterproofcover	2
				102	Dashboard	1
				101	doorknob cover	1
No.		Description	Qty.	No.	Description	Qty.

EMD14X/EMD14W



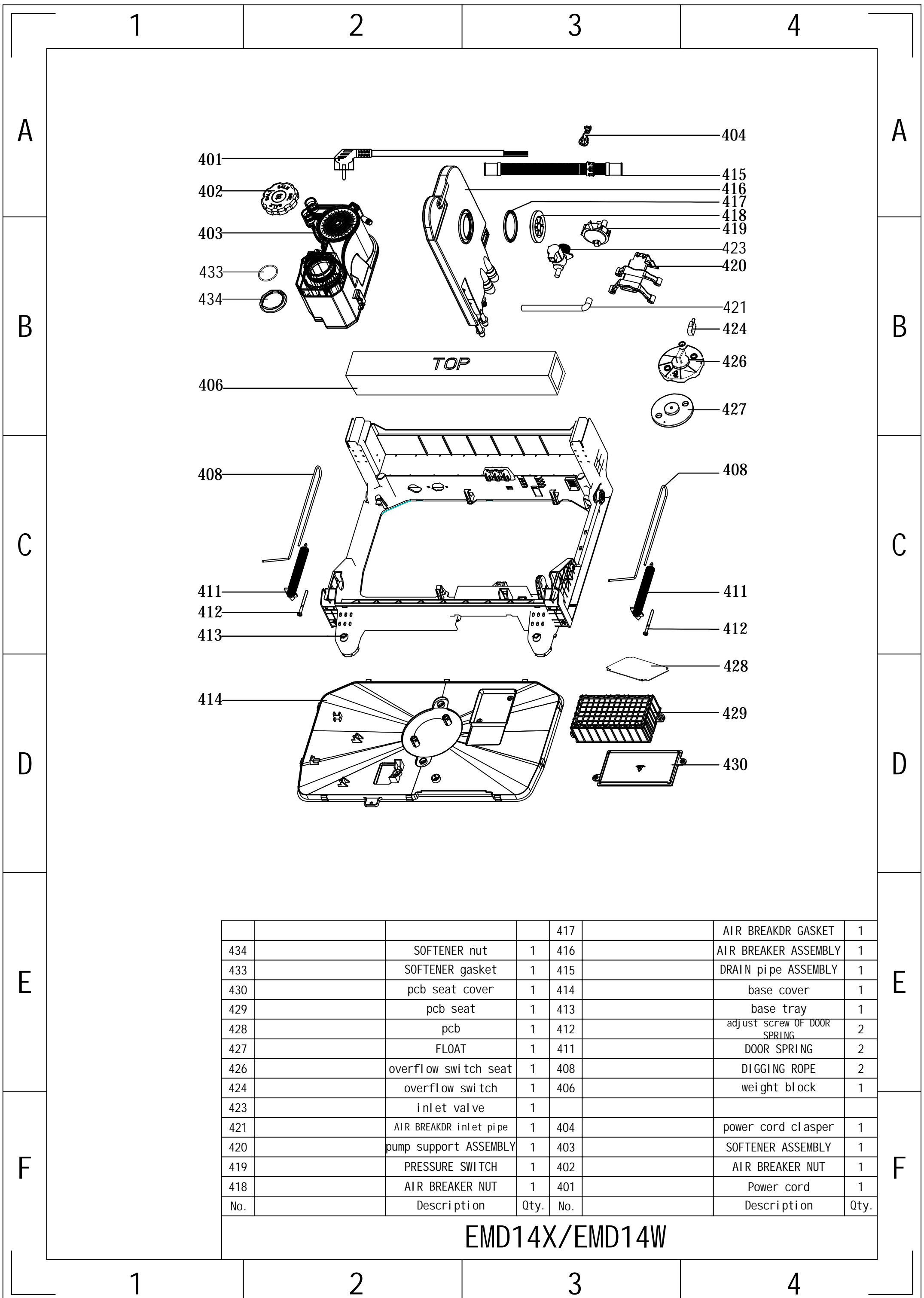
					214	Waterproof silica gel pad	1
					213	door lock hook	1
					212	Lock buckle fixing block	1
					211	hinge join board	1
					210	right hinge assembly	1
					209	dispenser	1
					205	left hinge assembly	1
					204	friction strip hooking clamping	2
					202	inner door assembly	1
No.		Description	Qty.	No.		Description	Qty.

EMD14X/EMD14W



				316		cutlery shelf guider link stopper(back)	2
				315		anti-noise board	1
				314		basket guider supporting holder	4
				313		rail support assembly	4
				311		basket guider supporting holder	4
				309		cutlery shelf rail support assembly	4
				307-a		sword fork frame upper basket guider(right)	1
				307		sword fork frame upper basket guider(left)	1
321		back cover board	1	306		cutlery shelf guider link stopper(back)	2
320		door switch	1	304		upper back support	1
318		tank gasket	1	303		right side panel	1
317-a		upper basket guider(right)	1	302		left side panel assembly	1
317		upper basket guider(left)	1	301		top panel assembly	1
No.		Description	Qty.	No.		Description	Qty.

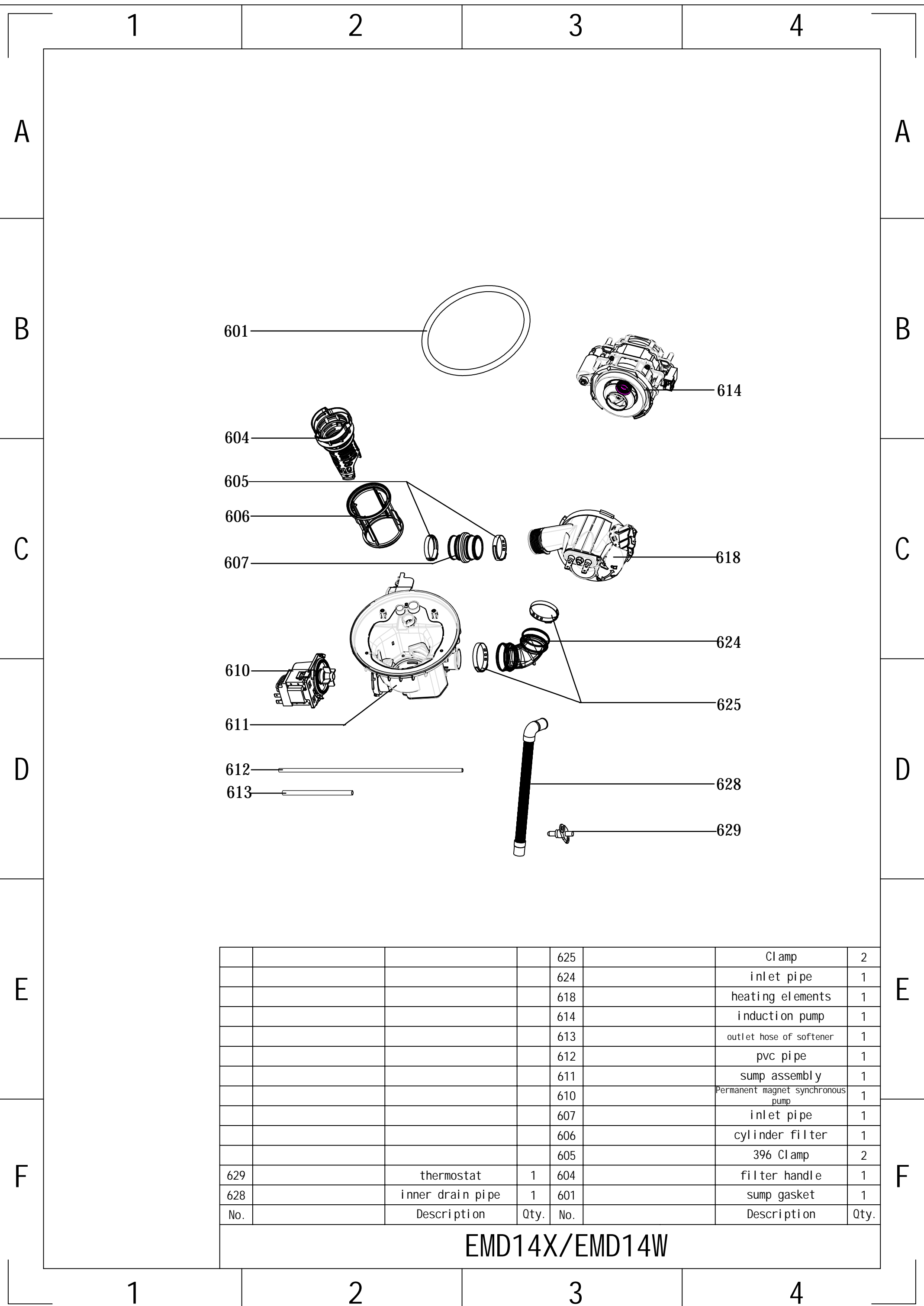
EMD14X/EMD14W



				417	AIR BREAKDR GASKET	1
434	SOFTENER nut	1	416	AIR BREAKER ASSEMBLY	1	
433	SOFTENER gasket	1	415	DRAIN pi pe ASSEMBLY	1	
430	pcb seat cover	1	414	base cover	1	
429	pcb seat	1	413	base tray	1	
428	pcb	1	412	adjust screw OF DOOR SPRING	2	
427	FLOAT	1	411	DOOR SPRING	2	
426	overflow switch seat	1	408	DIGGING ROPE	2	
424	overflow switch	1	406	weight block	1	
423	inlet valve	1				
421	AIR BREAKDR inlet pipe	1	404	power cord clasper	1	
420	pump support ASSEMBLY	1	403	SOFTENER ASSEMBLY	1	
419	PRESSURE SWITCH	1	402	AIR BREAKER NUT	1	
418	AIR BREAKER NUT	1	401	Power cord	1	
No.	Description	Qty.	No.	Description	Qty.	

EMD14X/EMD14W





				625		Clamp	2
				624		inlet pipe	1
				618		heating elements	1
				614		induction pump	1
				613		outlet hose of softener	1
				612		pvc pipe	1
				611		sump assembly	1
				610		Permanent magnet synchronous pump	1
				607		inlet pipe	1
				606		cylinder filter	1
				605		396 Clamp	2
629		thermostat	1	604		filter handle	1
628		inner drain pipe	1	601		sump gasket	1
No.		Description	Qty.	No.		Description	Qty.

EMD14X/EMD14W

1

2

3

4

A

A

B

B

C

C

D

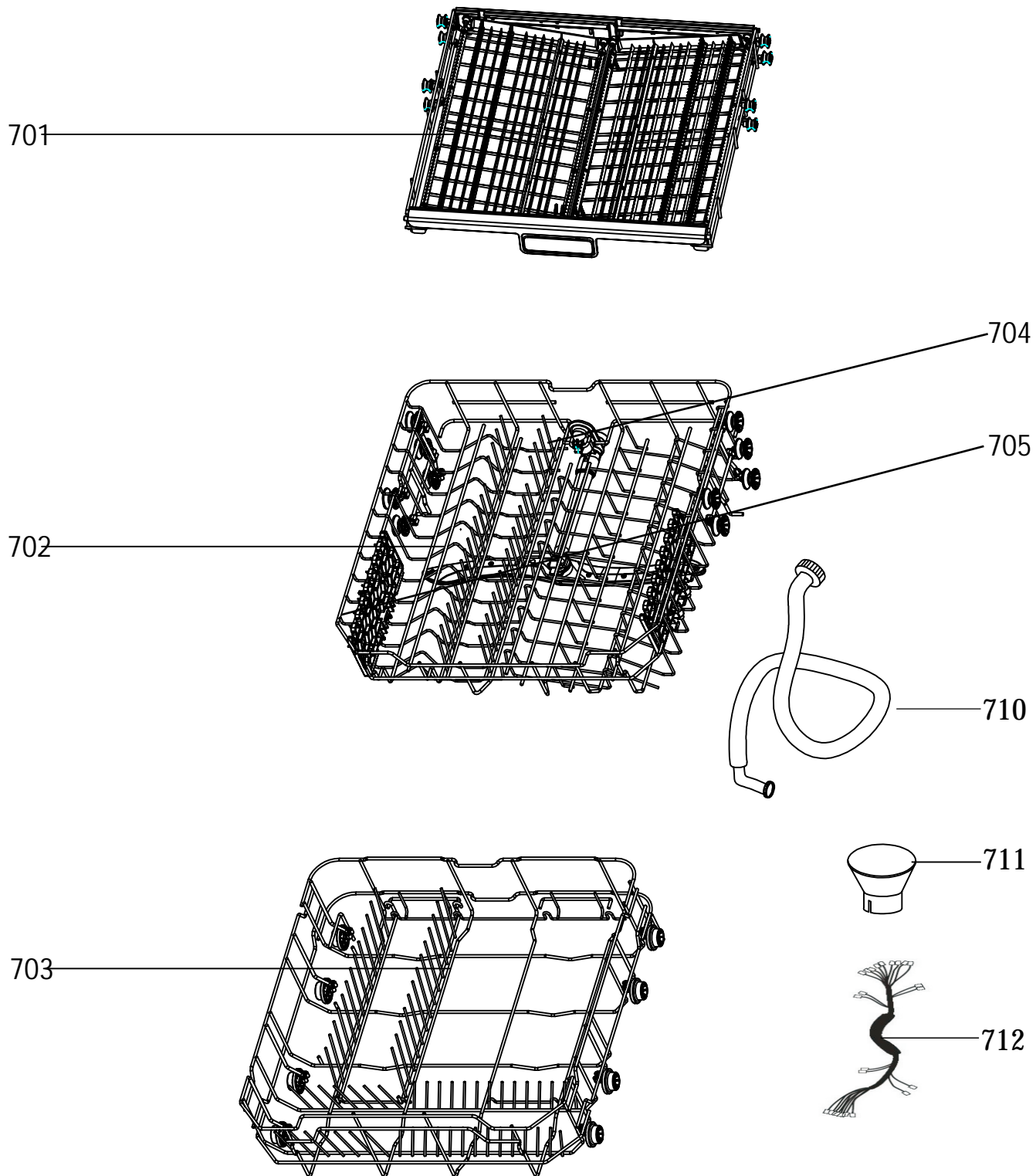
D

E

E

F

F



				712	wiring harness	1
				711	salt filler	1
				710	inlet hose assembly	1
				705	Knife and fork rack	1
				704	MIDDLE SPAYER ASSEMBLY	1
				703	lower basket assembly	1
				702	Upper basket	1
				701	cutlery assembly	1
No.		Description	Qty.	No.	Description	Qty.

EMD14X/EMD14W

1

2

3

4