

EN

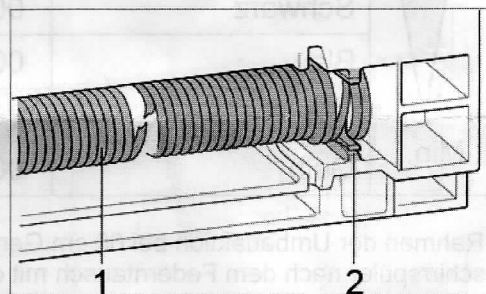
This spare part may be assembled by qualified and instructed specialized personnel (electricians) only. The proper function and the safety of the appliance can be affected by an improper repair and even serious threats to life or physical condition may arise. We are not liable for damages caused by the improper use of third persons. For repairs on domestic appliances the approved technical regulations are applied. Any existing additional country-specific requirements and regulations must be observed. In case of doubt please contact our factory own customer service.



- ▶ The door springs can be identified by a colored dot directly on the spring.
- ▶ The door springs must be replaced in pairs only!
- ▶ Do not install different springs!
- ▶ The same color coded must be used on the right and left!
- ▶ **Installing parts other than those included in this kit is not permitted!**
- ▶ If the installed springs provide too little force for the door, please install the next stronger color springs, per the spring table.
- ▶ After the repair, inspect the door and hinge system for damage and bending.

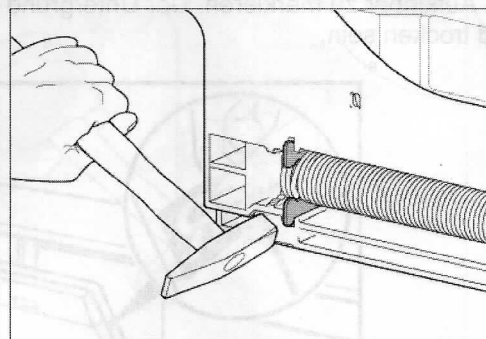
1.

In case of broken spring (1), broken pull rope or general cases of suspected damage to the molded plastic holder on the container (2) the new spring has to be mounted with the included metal mounting plate.



2.

Attach the metal holder plate to the spring.



3.

Insert tension rope to the spring (1).

